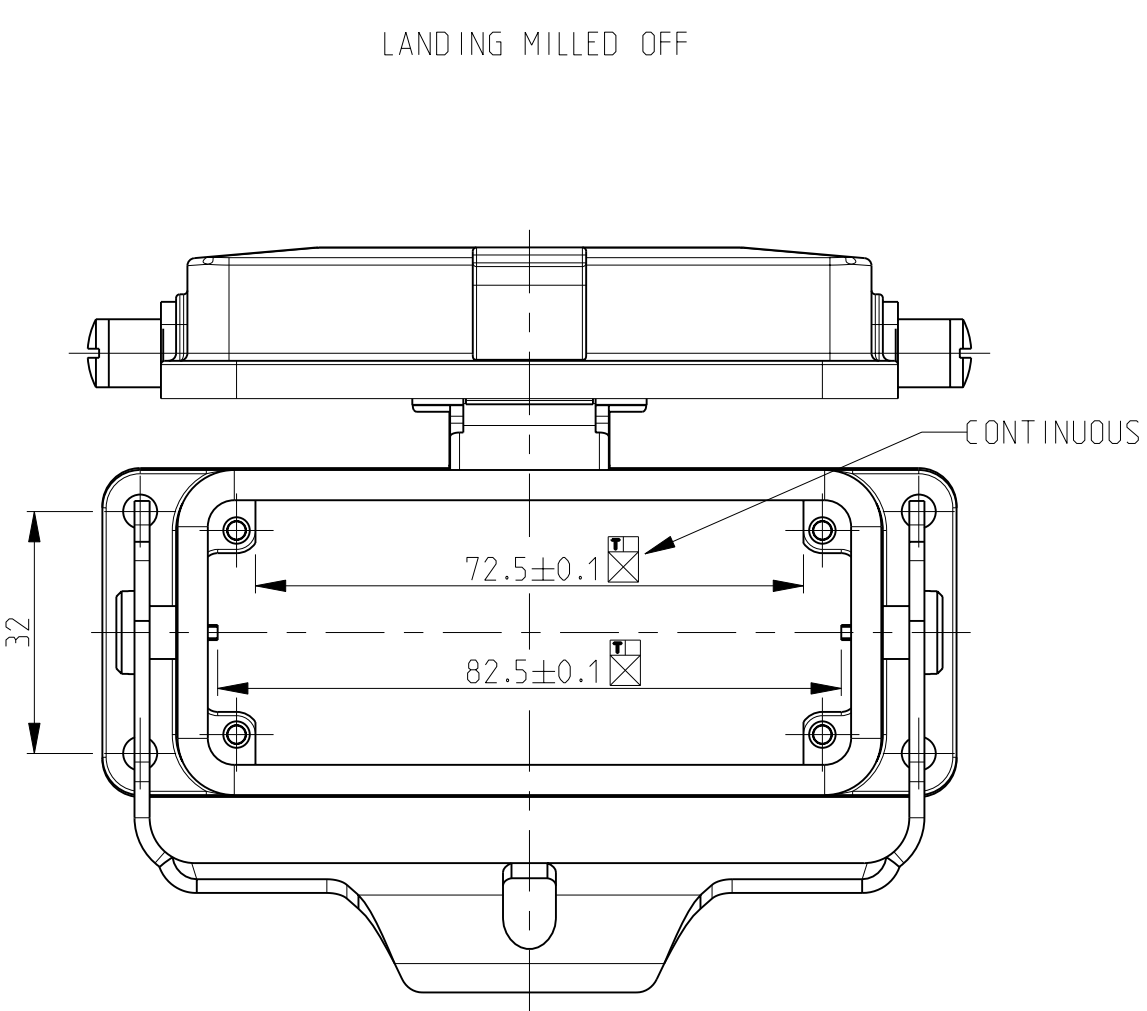
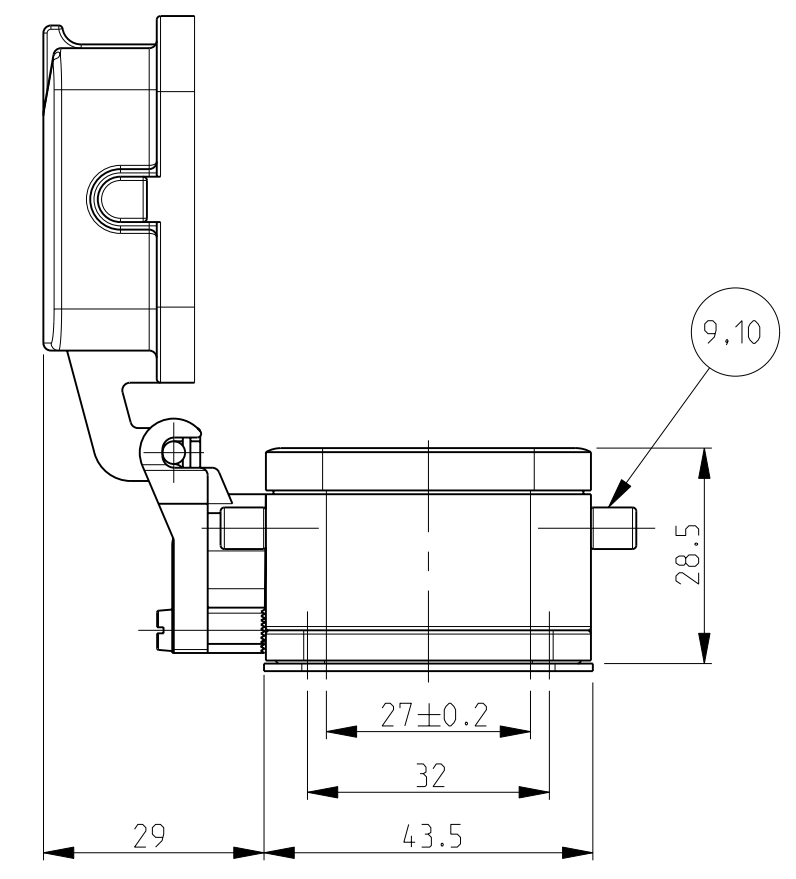
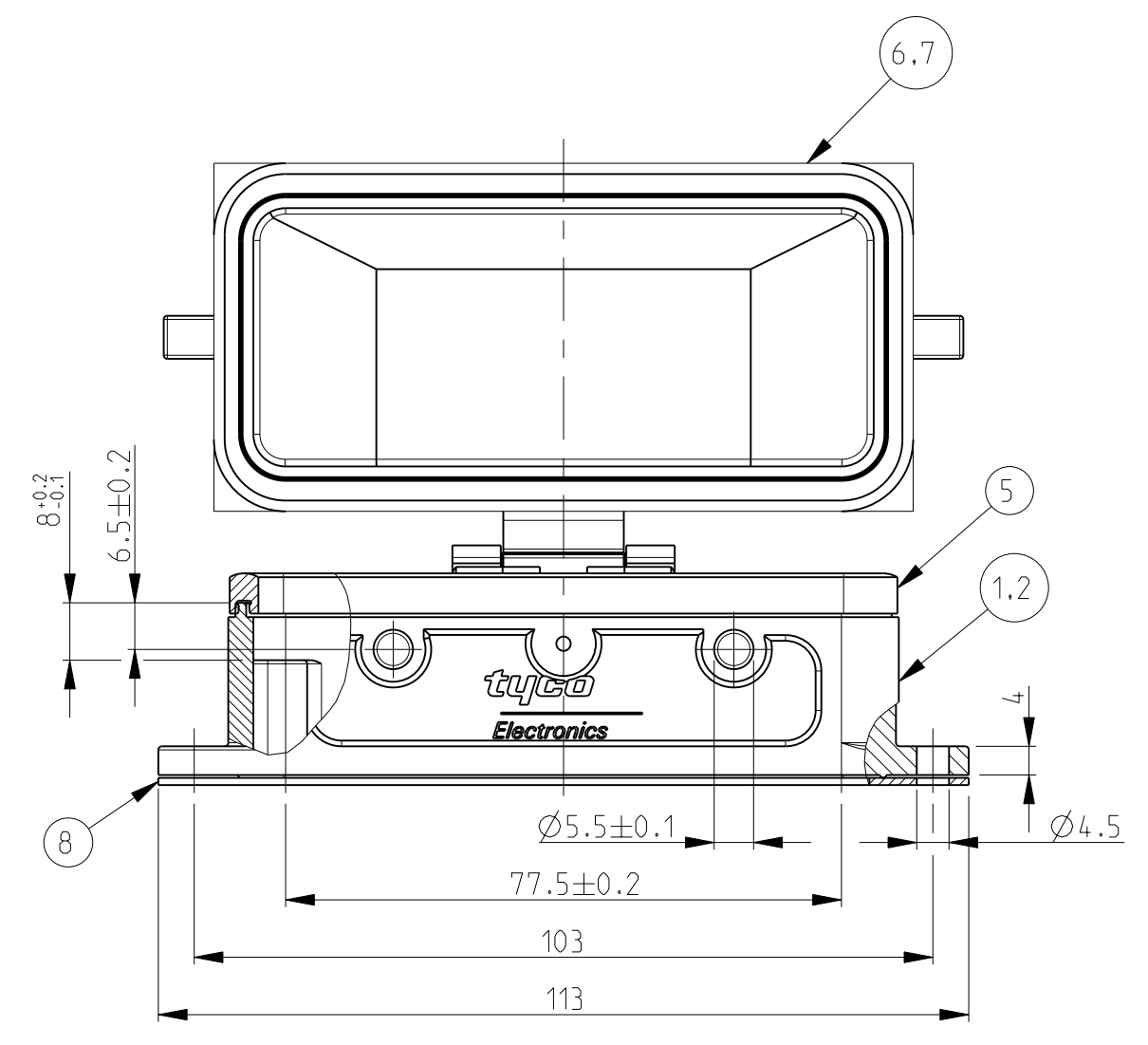


LOC	DIST	REVISIONS			
P	LTR	DESCRIPTION	DATE	DWN	APVD
B8		Released as per ECR-07-030430	17.12.07	SP	TS

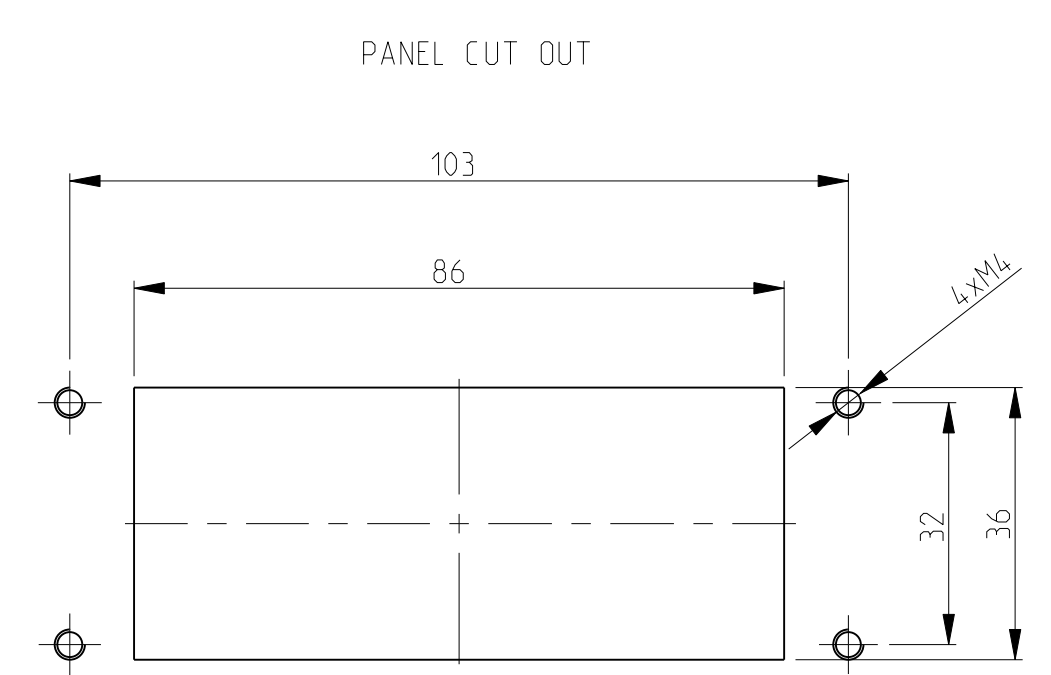
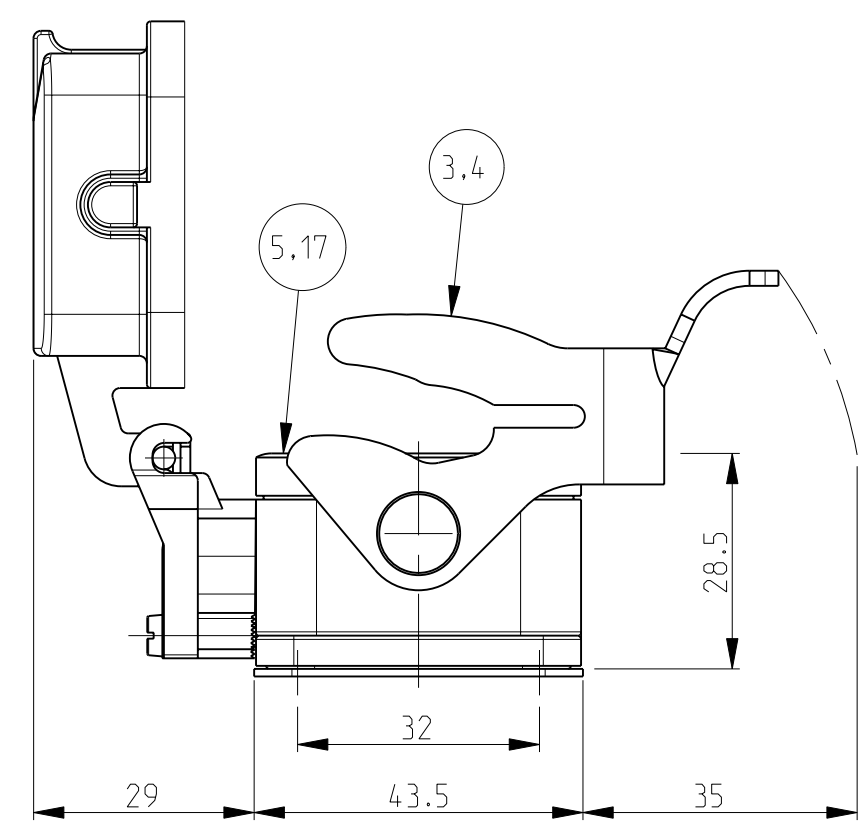
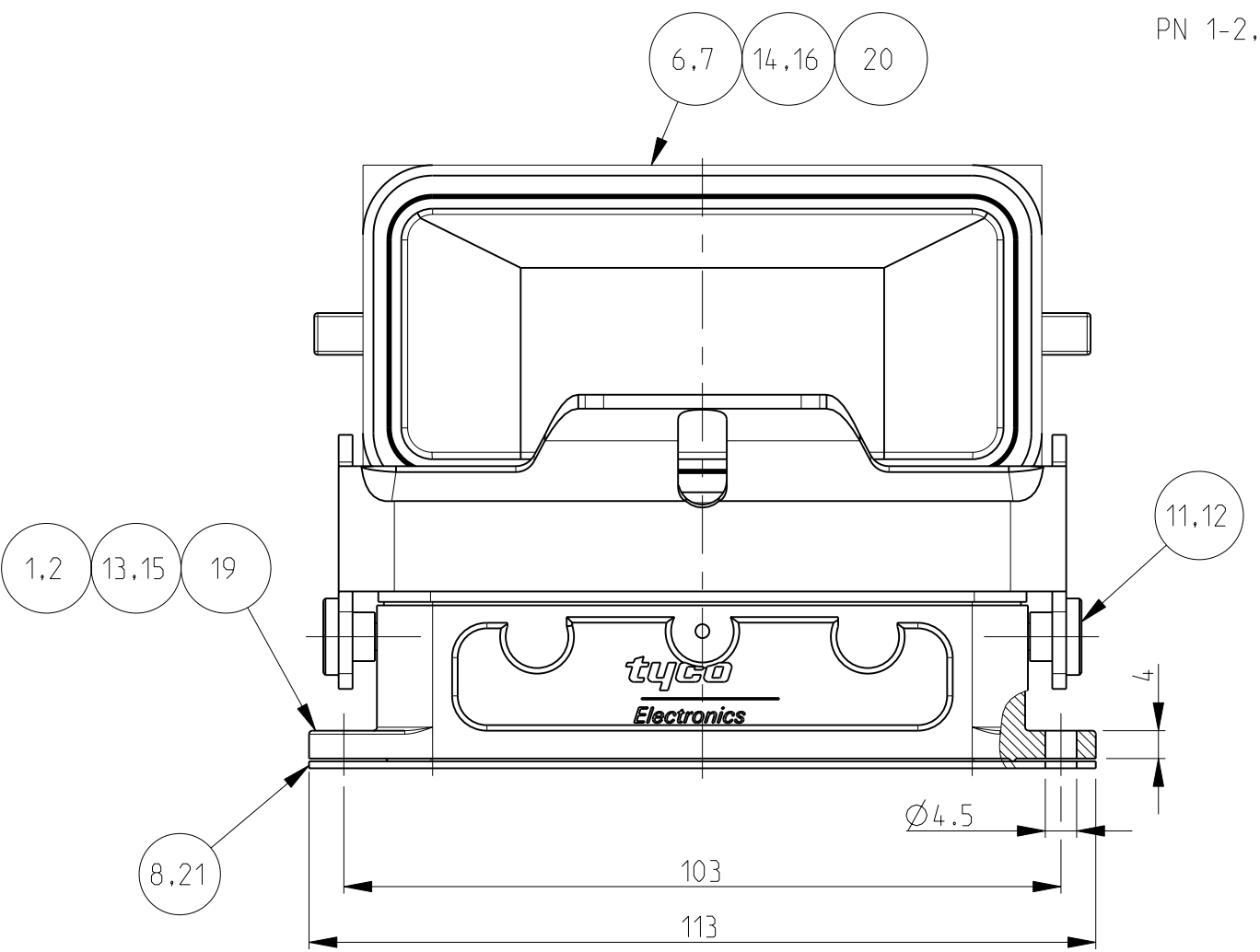
PN 1-6.2-6 & 0-2



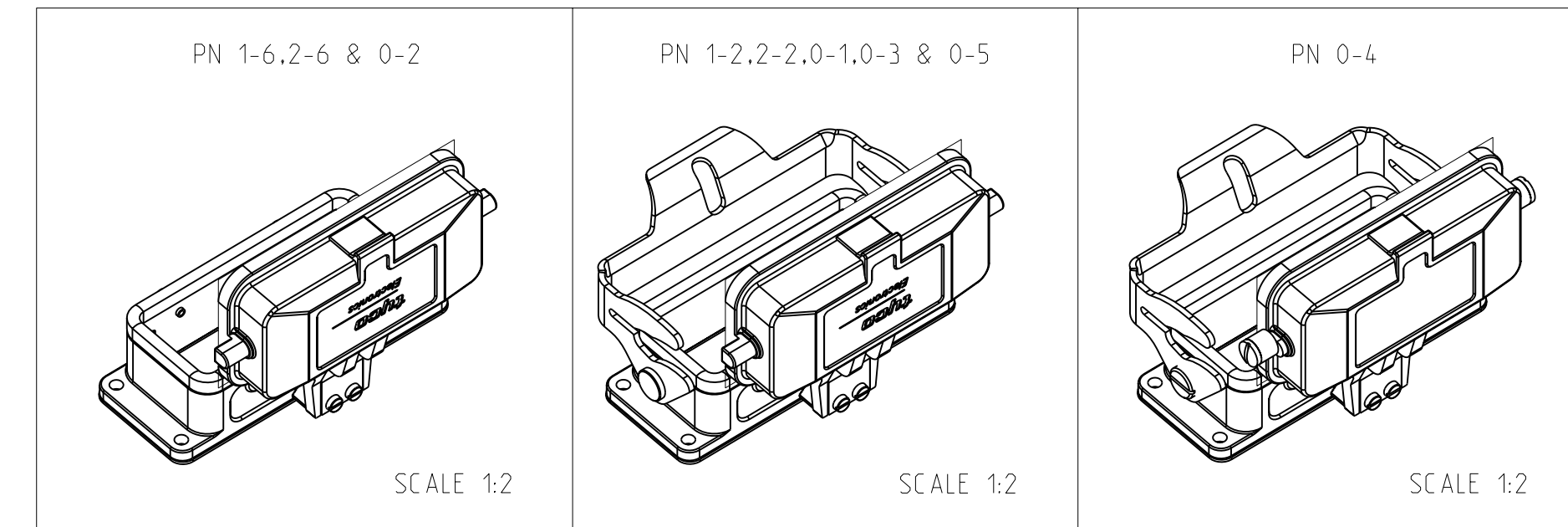
LANDING MILLED OFF

- NOTES
- Material:Housing:Aluminium Diecasting Alloy  
Seals: Neoprene
  - Surface- Varnish -Grey : Red  
-Aluminium Oxide +Varnish Black  
-Chromit AL TCP - passivation
  - Varnish on the inside not necessary
  - Packaging Quantity 5 Pieces in a box
  - Special Packaging Quantity 50 pieces in a kan ban box

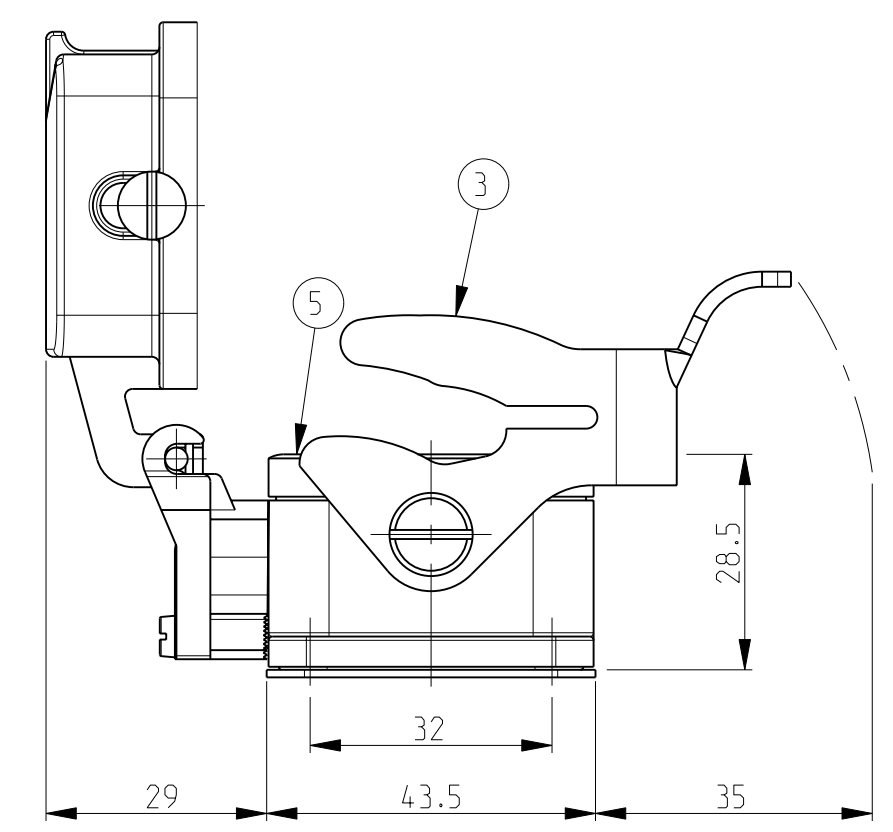
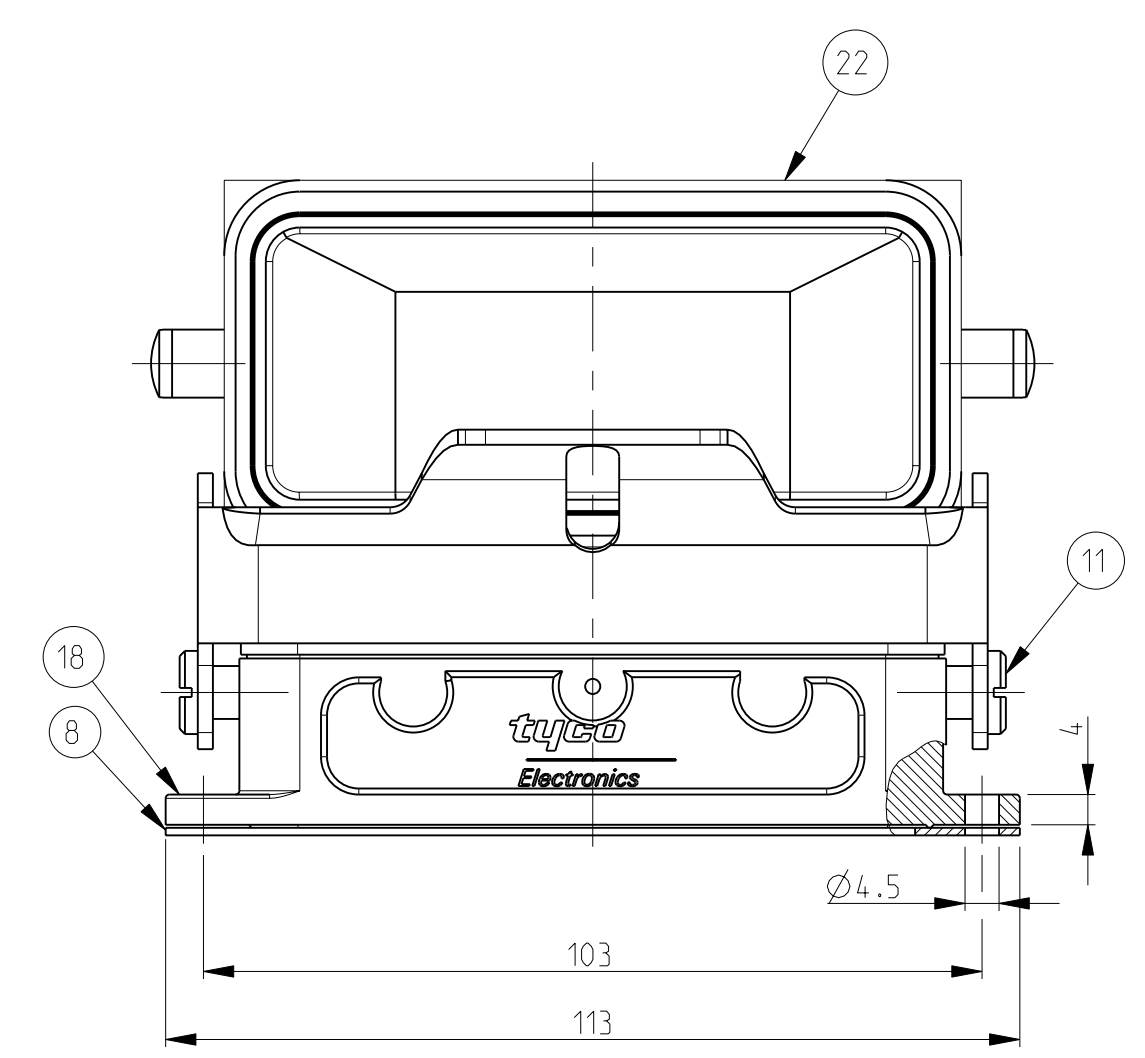
PN 1-2.2-2.0-1.0-3 & 0-5



PANEL CUT OUT



PN 0-4



QTY	DESCRIPTION	MATERIAL	SURFACE	COLOR	ITEM NO	REMARKS								
1	Cover HB	Aluminium		Grey	22	Neutral								
1	Flange Seal	Neoprene		Black	21	Conductive								
1	Cover HB-EMV	Aluminium		Black	20									
1	Surface mounted housing bottom entry HB-EMV	Aluminium	SEE NOTE	Black	19									
1	Surface mounted housing bottom entry HB	Aluminium		Grey	18	Neutral								
1	Profile Seal	Neoprene		Black	17	Conductive								
1	Cover HB-EMV	Aluminium	SEE NOTE	Without varnish	16									
1	Surface mounted housing bottom entry HB-EMV	Aluminium	SEE NOTE	Without varnish	15									
1	Cover HB	Aluminium		Red	14									
1	Surface mounted housing bottom entry HB	Aluminium		Red	13									
2	LB-Clip Positioner	Stainless Steel	Blank		12									
2	LB-Clip Positioner	Steel	Zinc Plated	Blue	11									
4	VS-Clip Bolt	Stainless Steel	Blank		10									
4	VS-Clip Bolt	Steel	Zinc Plated	Blue	9									
1	Flange Seal	Neoprene		Black	8									
1	Cover HB-K	Aluminium	Aluminium Oxide	Black	7									
1	Cover HB	Aluminium		Grey	6									
1	Profile Seal	Neoprene		Black	5									
1	LB-Side Clip	Stainless Steel	Blank		4									
1	LB-Side Clip	Steel	Zinc Plated	Blue	3									
1	Surface mounted housing bottom entry HB-K	Aluminium	Aluminium Oxide	Black	2									
1	Surface mounted housing bottom entry HB	Aluminium		Grey	1									
0-5	0-4	0-3	0-2	0-1	2-6	1-6	2-2	1-2	DESCRIPTION	MATERIAL	SURFACE	COLOR	ITEM NO	REMARKS
ORDERING TEXT														
HB-16.AGD-LB														
HB-K.16.AGD-LB														
HB-16.AGD														
HB-K.16.AGD														
HB-16.AGD-LB														
HB-16.AGD.KM														
HB-EMV.16.AGD-LB														
HB-16.AGD-LB														
HB-EMV.16.AGD-LB														

DIMENSIONS: mm		TOLERANCES UNLESS OTHERWISE SPECIFIED:		DWN: Schneider 13.04.2000	CHE: Schneider 13.04.2000	Tyco Electronics AMP GmbH 0-53819,Neunkirchen,Germany	
MATERIAL		FINISH		NAME: Surface Mounted Housing Bottom Entry HB.16.AGD		RESTRICTED TO	
CUSTOMER DRAW ING		SCALE: 1:1		SIZE: A   00779   C=1102305		SHEET 1 OF 1 REV: B8	